

X-LIN Long Range Wireless LAN Platform

WLAN

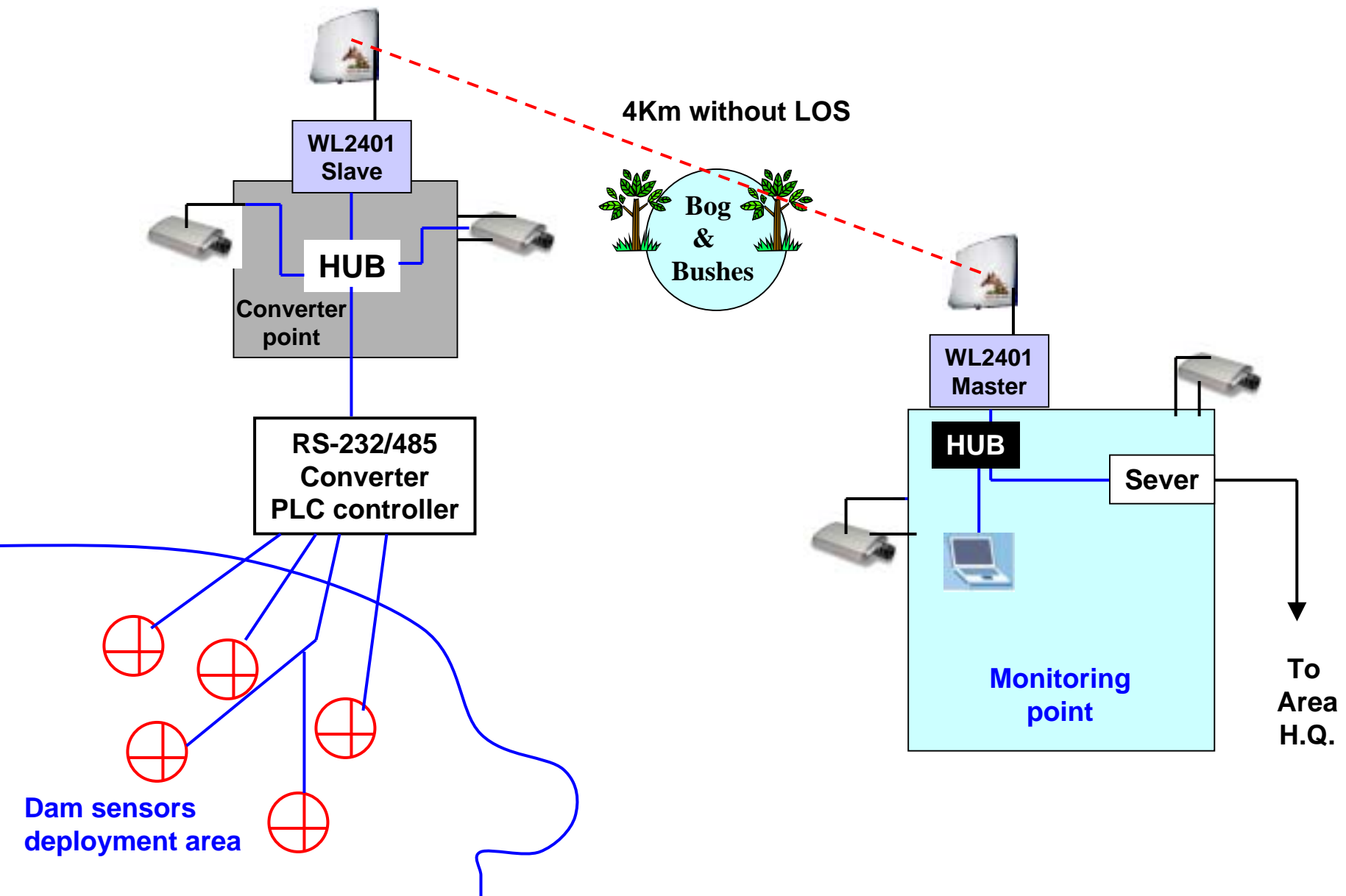
FOR

Water company on dams monitoring

Network Description

1. Wireless LAN connectivity for reservoir monitoring and facility surveillance
2. To collect the data from water company's info converter and transmit to the monitoring point over 4Km without LOS.
3. Connecting dozens of sensors for the dams and surveillance on the no-man-guard facilities of converter and monitoring point.
4. Close and secured private and close network.

Network Scenario



Converter point



On no-man-guard monitoring point





Component 1:

WL-2401

200 mW, Outdoor Bridge
with 18-dbi flat-panel
antenna integrated



Connecting Converter point
and Monitoring point 4 Km
without LOS



Component 2: Surveillance

IR-80XN, Infra-red cut day&night camera for surveillance at the no-man-guard facilities and building.

IS-3102, web Cam server for connecting the camera into the WLAN network.



X-LIN
Innovation
Thank you !

Hotware International Co., Ltd.

www.hotware.com.tw

business@hotware.com.tw

Tel : +886-3-4639125

Fax ; +886-3-4639367

Integration Center

integrate@hotware.com.tw