

X-LIN

Hotware Wireless Co., Ltd.

Long Range Wireless LAN Platform

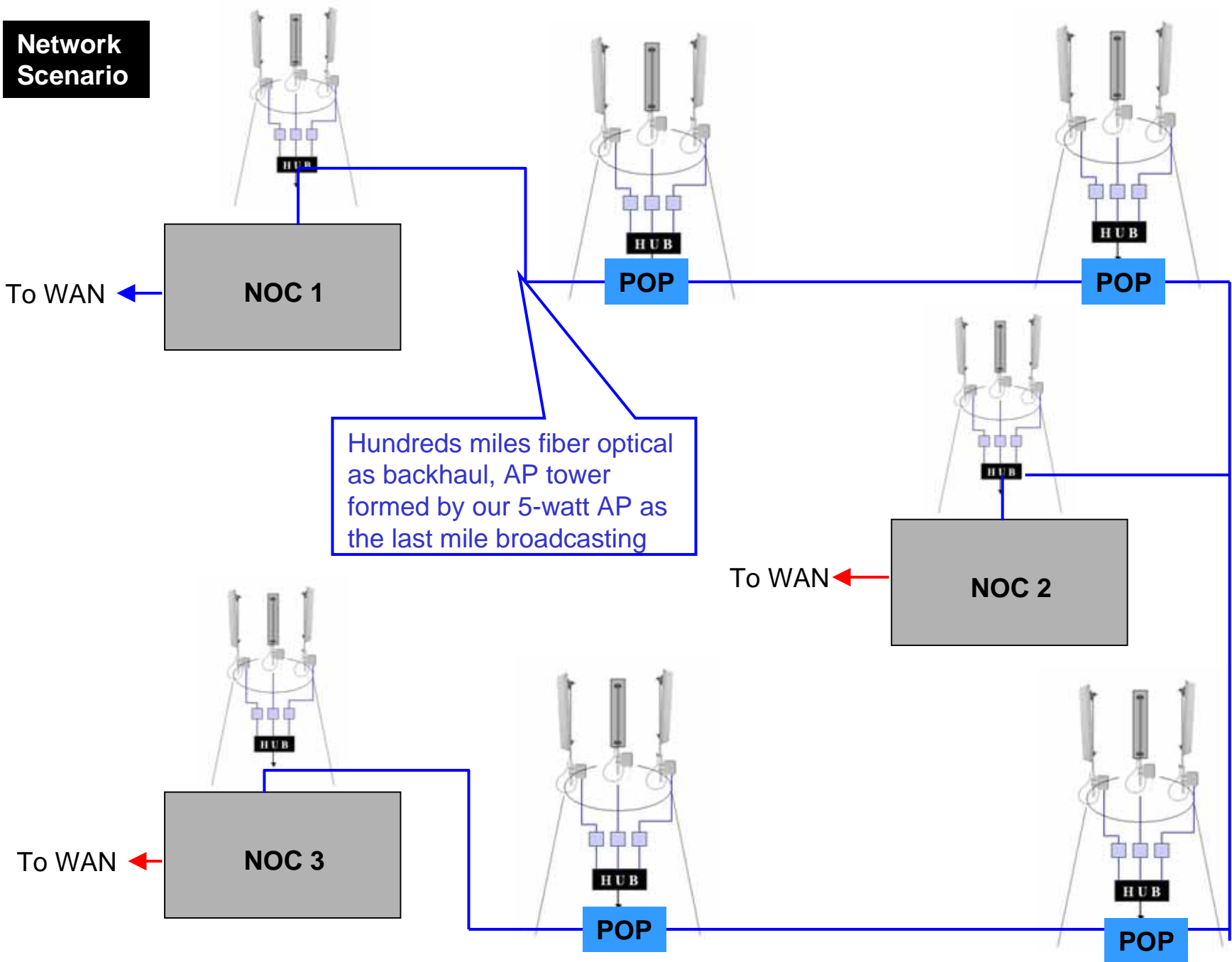
WISP in the Philippines

(National deployment by a CATV operator)

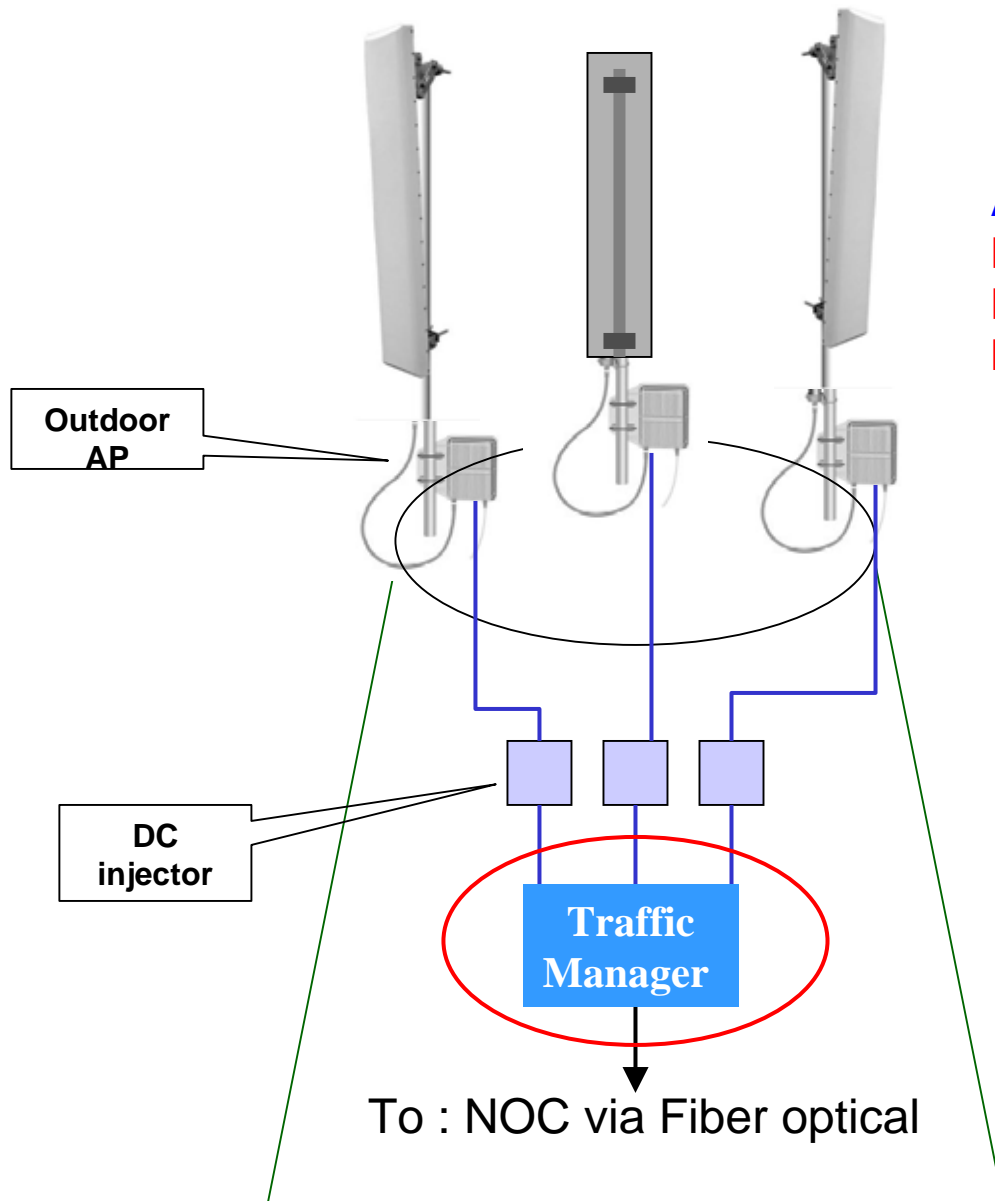
(under our guidance)

Sept, 2008

Network Scenario



AP Tower Scenario



AP + 120-degree antenna
back-to-back scenario
Each antenna covers 120 degree
Distance among antennas: 3 meters
RF channel spaced by 6 channels

Advantages:

Best Coverage and Reliability !!
Big bandwidth for each tower (3 times)
High flexibility of RF channel options !!

Advantages of Tower:

Beam width: 360 degree, omni-directional

Total bandwidth: Multiplied by number of AP

Channel Flexibility: 39 channels. Overlapping channels with other tower: many, many....

Traffic Manager performs the most efficient data flow and route to NOC then WAN – key for networking efficiency



5-watt AP with 120-degree sector antenna on water tower



5-watt AP with 120-degree sector antenna on water tower



5 watt AP X-LIN 2410 with 120 degree antenna
and Lighting ground system as its the highest
point on tower



**Lightening ground is
important and being carefully
handled**

**5-watt AP with 120-degree
sector antenna on water tower**

3 x 5-watt AP and 120-degree antenna make 360-degree coverage on an antenna tower

2009/09/23 23:00



CPE on a cyber cafe



Cyber Cafe



Component 1: 5-watt AP

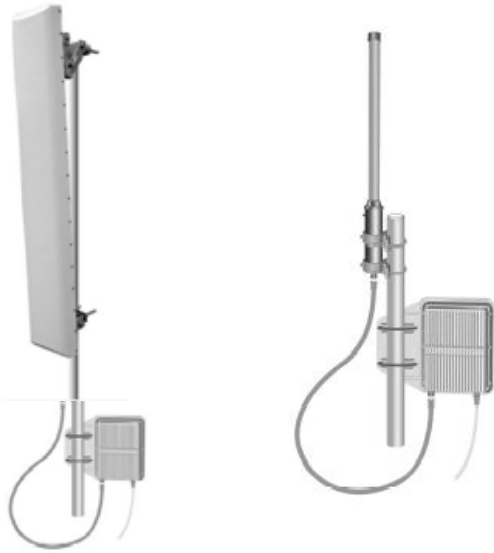


**xLink-2450,
802.11b, 2.4GHz,
5Watt/37dBm
Access Point**

True outdoor unit, POE design,
-35c~70c, weather-proof



Component 2: Node AP



WL-2410/GM, 1W, 802.11g/b,
(AP/Client/Repeater/Bridge)
With omni antenna or sectorial 120-degree
antenna; or omni-directional array with 3 x 120-
degree sectorial antennas

True outdoor unit, POE design,
-35c~70c, weather-proof



Component 3: fixed CPE (100mW)

Up to 7Km



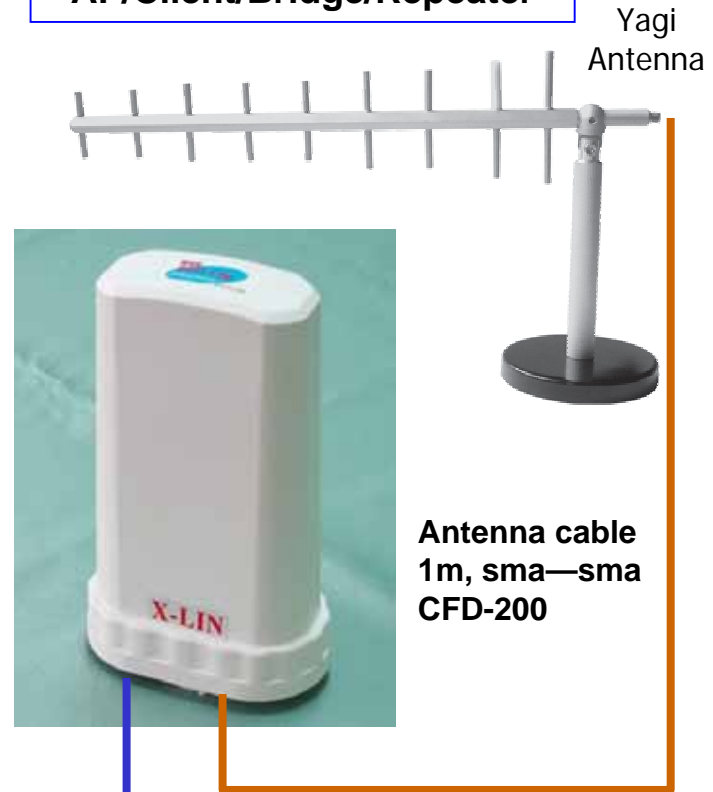
**ASU-24005G,
802.11g, 100mW
AP/Client/Bridge/
Repeater**

Plastic cost-effective
outdoor unit, POE design,
-15c~65c, weather-proof

Component 4: fixed CPE (500mW) Up to 17Km

- The 16dBi yagi access antenna enables the “last mile” connection to customers.
- The units are the client side access points/transponders and antenna.
- They connect to a customer’s computer or router in minutes using CATV cable and a DC power adapter.
- They are weather proofed with O rings.
- They include mounting hardware.
- There are 3 variants (normal, medium and long range).
- Yagi booster antennas and cables are included to further improve signal strength and reduce interference. This improves quality of service and reduces customer complaints. Up to 20km range.

AMU-2405G, 802.11g/b,
500mW
AP/Client/Bridge/Repeater



Yagi Antenna
Antenna cable
1m, sma—sma
CFD-200

Plastic cost-effective
outdoor unit, POE design,
-15c~65c, weather-proof



X-LIN

Innovation
Thank you !

Hotware Wireless Co., Ltd.

www.hotware.com.tw

business@hotware.com.tw

Tel : +886-3-4639125

Fax ; +886-3-4639367

Integration Center

integrate@hotware.com.tw